

Product data sheet

Characteristics

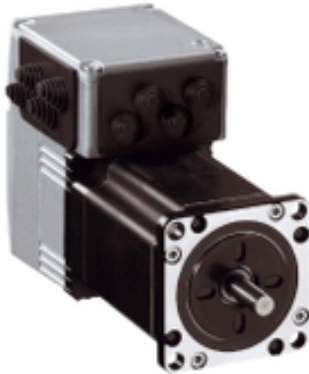
ILS2T573PC1A0

integrated drive ILS with stepper motor - 24..48 V
- Modbus TCP - 3.5 A



Product availability: Non-Stock - Not normally stocked in distribution facility

Price*: 1470.00 USD



Main

| | |
|---------------------------|--|
| Range of product | Lexium integrated drive |
| Product or component type | Motion integrated drive |
| Device short name | ILS |
| Motor type | 3-phase stepper motor |
| Number of motor poles | 6 |
| Phase | Single phase |
| [Us] rated supply voltage | 48 V 24 V |
| Network type | DC |
| Communication interface | Modbus TCP, Integrated |
| Length | 5.47 In (138.9 mm) |
| Winding type | Medium speed of rotation and medium torque |
| Electrical connection | Industrial connector |
| Holding brake | Without |
| Gear box type | Without |
| Nominal speed | 300 rpm 24 V 600 rpm 48 V |
| Nominal torque | 13.28 Lbf.In (1.5 N.m) |
| Holding torque | 13.28 Lbf.In (1.5 N.m) |

Complementary

| | |
|---------------------------------------|-------------------|
| Transmission rate | 10, 100 Mbits |
| Mounting support | Flange |
| Motor flange size | 2.24 In (57 mm) |
| Number of motor stacks | 3 |
| Centring collar diameter | 1.50 In (38.1 mm) |
| Centring collar depth | 0.06 In (1.6 mm) |
| Number of mounting holes | 4 |
| Mounting holes diameter | 0.20 In (5.2 mm) |
| Circle diameter of the mounting holes | 2.62 In (66.6 mm) |

| | |
|----------------------------|--|
| Feedback type | Index pulse |
| Shaft end | Untapped |
| Second shaft | Without second shaft end |
| Shaft diameter | 0.31 In (8 mm) |
| Shaft length | 0.83 In (21 mm) |
| Supply voltage limits | 18...55 V |
| Current consumption | 3500 mA maximum continuous |
| Associated fuse rating | 16 A |
| Commissioning interface | RS485 Modbus TCP 9.6, 19.2 and 38.4 kbauds) |
| Input/output type | 4 signals (each be used as input or output) |
| Voltage state 0 guaranteed | -3...4.5 V |
| Voltage state 1 guaranteed | 15...30 V |
| Discrete input current | 10 MA at 24 V safety input 2 MA at 24 V 24 V signal interface |
| Discrete output voltage | 23...25 V |
| Maximum switching current | 100 MA per output 200 MA total |
| Protection type | Short circuit of the output voltage Overload of output voltage Safe torque off |
| Peak stall torque | 13.28 Lbf.In (1.5 N.m) |
| Continuous stall torque | 13.28 Lbf.In (1.5 N.m) |
| Speed feedback resolution | 20000 points/turn |
| Accuracy error | +/- 6 arc min |
| Rotor inertia | 0.38 Kg.Cm ² |
| Maximum mechanical speed | 3000 Rpm |
| Maximum radial force Fr | 50 N |
| Maximum axial force Fa | 100 N tensile force) 8.4 N force pressure) |
| Service life in hours | 20000 H bearing |
| Marking | CE |
| Type of cooling | Natural convection |
| Net weight | 4.41 Lb(US) (2 kg) |

Environment

| | |
|---|---|
| Standards | IEC 61800-3, Ed 2 EN 50347 IEC 60072-1 EN 61800-3:2001, second environment EN/IEC 61800-3 EN 61800-3 : 2001-02 EN/IEC 50178 |
| Product certifications | UL TÜV CUL |
| Ambient air temperature for operation | 104...131 °F (40...55 °C) with power derating of 2 % per °C) 32...104 °F (0...40 °C) without derating) |
| Permissible ambient air temperature around the device | 221 °F (105 °C) power amplifier 230 °F (110 °C) motor |
| Ambient air temperature for storage | -13...158 °F (-25...70 °C) |
| Operating altitude | <= 3280.84 ft (1000 m) without derating |
| Relative humidity | 15...85 % without condensation |
| Vibration resistance | 20 m/s ² 10...500 Hz) 10 cycles EN/IEC 60068-2-6 |
| Shock resistance | 150 m/s ² 1000 shocks EN/IEC 60068-2-29 |
| IP degree of protection | Shaft bushing IP41 EN/IEC 60034-5 Total except shaft bushing IP54 EN/IEC 60034-5 |

Ordering and shipping details

| | |
|-----------------------|-------------------------------------|
| Category | 18288 - LEXIUM INTEGRATED DRIVES II |
| Discount Schedule | PC56 |
| GTIN | 03606485189888 |
| Nbr. of units in pkg. | 1 |
| Package weight(Lbs) | 5.07 Lb(US) (2.3 kg) |
| Returnability | No |
| Country of origin | DE |

Packing Units

| | |
|------------------------|--------------------|
| Unit Type of Package 1 | PCE |
| Package 1 Height | 3.15 In (8 cm) |
| Package 1 width | 7.28 In (18.5 cm) |
| Package 1 Length | 13.98 In (35.5 cm) |

Offer Sustainability

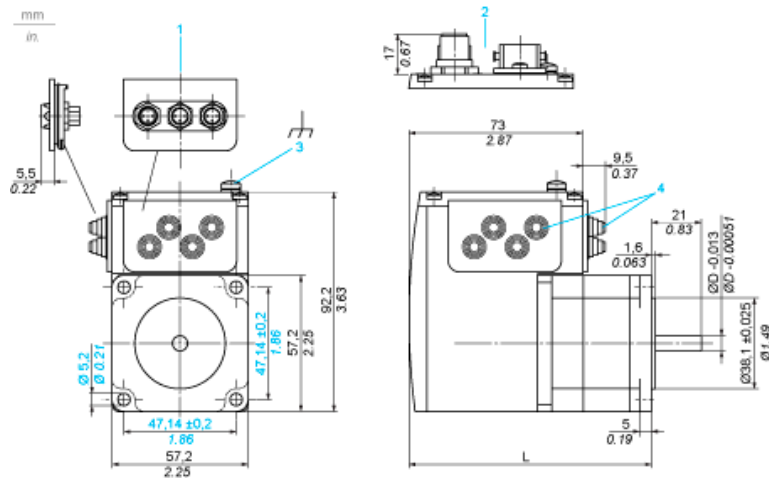
| | |
|----------------------------|---|
| Sustainable offer status | Green Premium product |
| California proposition 65 | WARNING: This product can expose you to chemicals including: Lead and lead compounds, which is known to the State of California to cause cancer and birth defects or other reproductive harm. For more information go to www.P65Warnings.ca.gov |
| REACH Regulation | REACH Declaration |
| EU RoHS Directive | Pro-active compliance (Product out of EU RoHS legal scope) EU RoHS Declaration |
| Mercury free | Yes |
| RoHS exemption information | Yes |
| China RoHS Regulation | China RoHS Declaration |
| Environmental Disclosure | Product Environmental Profile |
| Circularity Profile | End Of Life Information |
| WEEE | The product must be disposed on European Union markets following specific waste collection and never end up in rubbish bins. |
| PVC free | Yes |

Contractual warranty

| | |
|----------|-----------|
| Warranty | 18 months |
|----------|-----------|

Integrated Drive

Dimensions

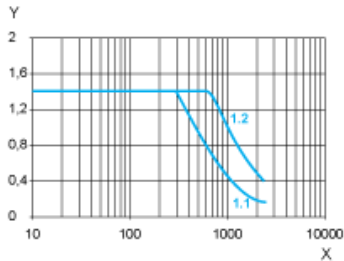


- 1 Accessories: I/O signal insert with industrial connectors
- 2 Option: industrial connectors
- 3 Earth (ground) terminal
- 4 Accessories: cable entries $\varnothing = 3 \dots 9 \text{ mm}/0.12 \dots 0.35 \text{ in.}$
- L 138.9 mm/5.47 in.
- D 8.00 mm/0.31 in.

Connection Example with 4 I/O Signals



Torque Characteristics



X Speed of rotation in rpm
Y Torque in Nm
1.1 Max. torque at 24 V
1.2 Max. torque at 48 V

Product Life Status : Commercialised